

Swing aside, double pivot extension with leg CSR



Specifications

- Double pivot, especially designed for small swing aside space
- Screwed construction with aluminium bolster sides
- Hardened steel rollers on friction pads
- Retractable stopper provides a fall safety mechanism for the die
- Open / closed position locked
- Especially suitable for manual die positioning
- Manufactured to order with special dimensions
- Optional wheeled leg (see sheet 100-07)

Specifications and dimensions

	CSR 3000	CSR 6000	6000
P (kg)	3000	6000	6000
L	1500	2000	2500
A	1580	2080	2580
B (min)	650	850	850
H	210	410	410
S	778	1028	1278
T	170	170	170
Ø D	40	40	40
N	46	62	80
E	60	60	60

P [kg] : Authorised dynamic load for a pair of extensions.

All dimensions are in millimeters.

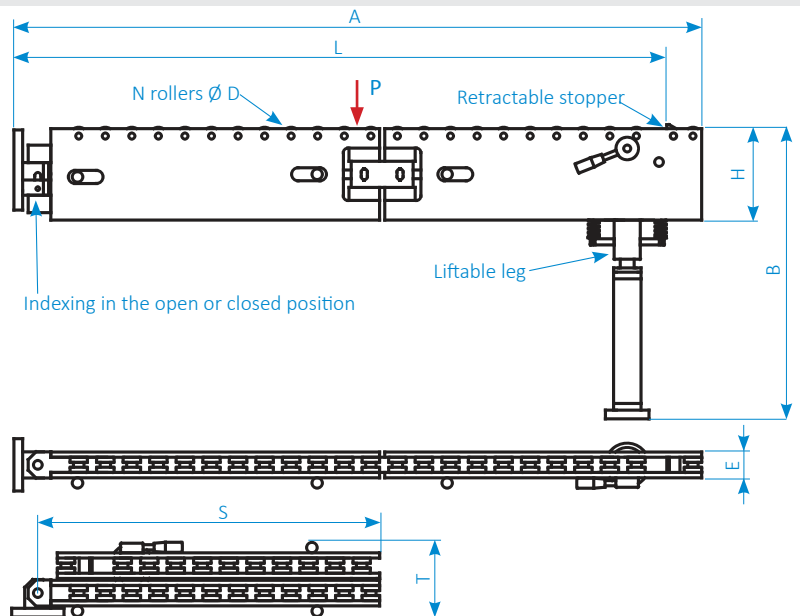
Indexing of the extension in the open and closed position on each pivot.

If ball or roller bars are used, the layout heights (20, 65 and 172 on the attachment) are given relative to the tops of the balls or rollers in the raised position.

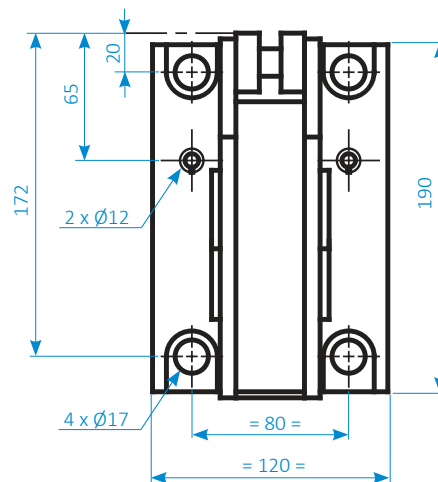
Purchase order reference

CSR P (kg) - L (mm) - B (mm) - S ← special dimension
 ↑ load ↑ length ↑ transfer height

Example : CSR 3000 - 1500 - 1000



CSP attachment - interface milling



SERAPID France
+33 (0)2 32 06 35 60
info-fr@serapid.com

SERAPID Deutschland GmbH
+49 (0)7931 96 47-0
info-de@serapid.com

SERAPID Ltd
+44 (0)1359 233335
info-uk@serapid.com

SERAPID INC.
+1 586 274 0774
info-us@serapid.com