

## Removable swing aside bolster extension with leg CSQ

### Specifications

- Screwed construction with aluminium bolster sides
- Hardened steel rollers on friction pads
- Retractable stopper provides a fall safety mechanism for the die
- Open / closed position locked
- Especially adapted for manual die positioning
- Manufactured to order with special dimensions
- Optional wheeled leg (see sheet 100-07)



### Specifications and dimensions

	CSQ 3000	CSQ 6000		CSQ 10000	
P (kg)	3000	6000	6000	10000	10000
L	1200	1500	2000	2000	2500
A	1280	1580	2080	2080	2580
B (min.)	650	650	850	850	850
H	210	220	410	410	410
Ø D	40	40	40	40	40
N	19	46	62	62	80
E	60	60	60	60	60

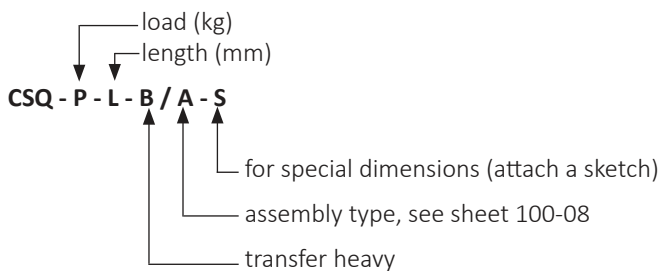
P [kg]: authorised dynamic load for a pair of extensions.

All dimensions are in millimeters.

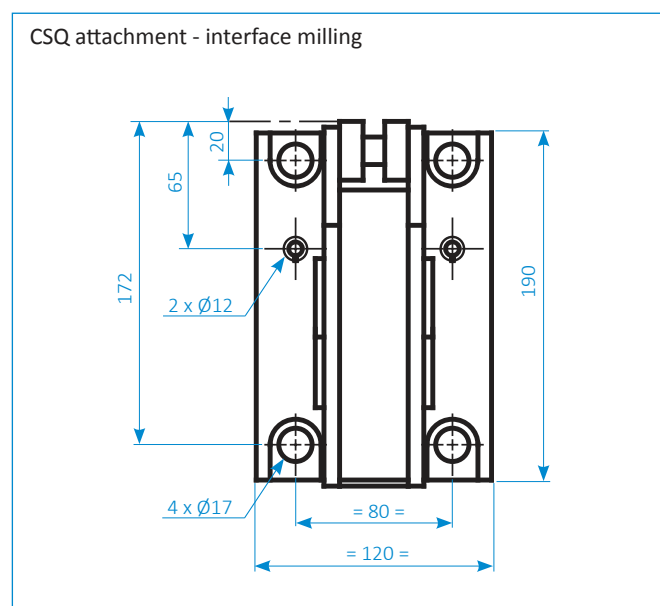
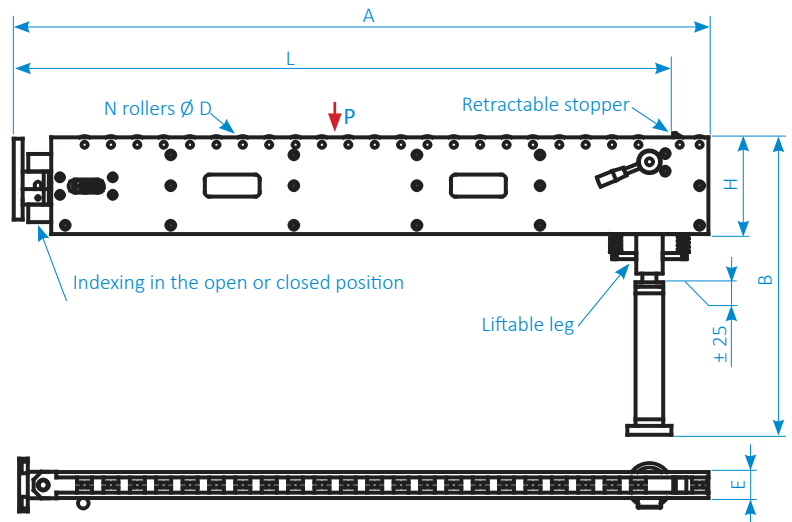
Indexing of the extension in the open and closed position.

If ball or roller bars are used, the layout heights (20, 65 and 172 on the attachment) are given relative to the tops of the balls or rollers in the raised position.

### Purchase order reference



**Examples :** CSQ 3000- 1200 / 3 (standard model)  
CSQ 6000- 1000- 900 / 3- S (specific model)



SERAPID France  
+33 (0)2 32 06 35 60  
info-fr@serapid.com

SERAPID Deutschland GmbH  
+49 (0)7931 96 47-0  
info-de@serapid.com

SERAPID Ltd  
+44 (0)1359 233335  
info-uk@serapid.com

SERAPID INC.  
+1 586 274 0774  
info-us@serapid.com