

Mechanical ball bar LBR

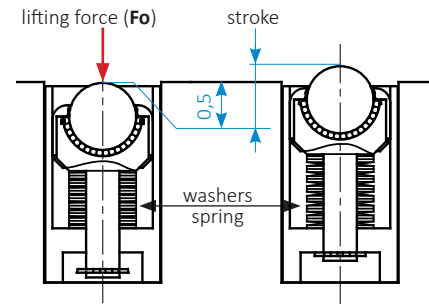
Specifications

- Multi-directional movements
- Low rolling resistance
- Mechanical spring lifting
- When the die is clamped, the ball retract
- Available for standard DIN 650 T slots
- Manufacture to order, adaptable to your standard DIN 650 or special slots
- Can be combined in lines
- Especially suitable for manual die positioning
- Standard working temperature of up to 70 °C, 160 °C with Viton seals



Specifications and dimensions

	LBR 18		LBR 22 /24		LBR 28		LBR 36	
DIN slot	18		22/24		28		36	
stroke (mm)	2		2,5		4		5	
N (balls)	L(mm)	Fo(kN)	L(mm)	Fo(kN)	L(mm)	Fo(kN)	L(mm)	Fo(kN)
3	96	0,6	120	1,3	150	1,95	180	3
4	126	0,8	160	1,75	200	2,6	240	4
5	156	1	200	2,2	250	3,25	300	5
6	186	1,2	240	2,6	300	3,9	360	6
8	246	1,6	320	3,5	400	5,2	480	8
10	306	2	400	4,4	500	6,5	600	10
12	366	2,4	480	5,3	600	7,8	720	12

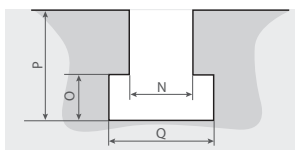


To calculate the dynamic load for each ball, please refer to sheet 010-00.

Fo : at 0.5 mm above the table

All dimensions are in millimeters.

DIN 650 T slot



N	18	22	24	28	36
O	12	16	18	20	25
P	30	38	42	48	60
Q	30	37	42	46	56

Check the standard or special T slot dimensions before placing the purchase order. Specific dimensions on request.

Purchase order reference

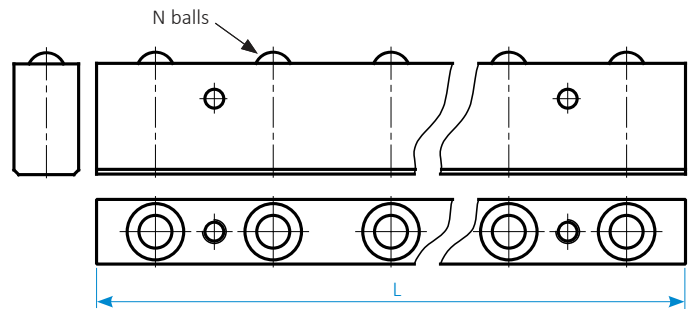
LBR - T - N - A/B - S for special T slot dimensions or ramp lengths (attach a sketch)

fixing option
number of balls

dimension of the T slot

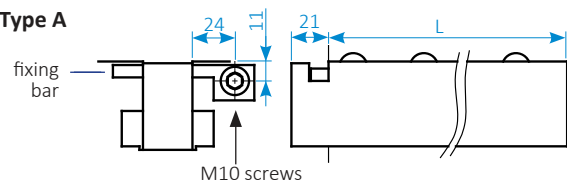
Examples : LBR 28-10 (standard model)

LBR 28-10 S (special model)

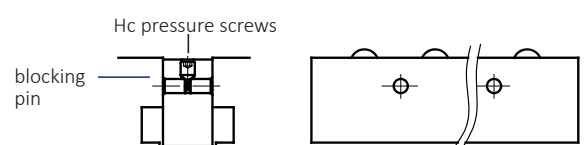


Fixing options

Type A



Type B (usual fixing)



SERAPID France - Head Office

ZI Louis Delaporte, Zone Bleue, Voie F
F-76370 Rouxmesnil-Bouteilles | France
+33 (0)2 32 06 35 60
info-fr@serapid.com

SERAPID Ltd

Elm Farm Park, Great Green, Thurston,
Bury St Edmunds | IP31 3SH England
+44 (0)1359 233335
info-uk@serapid.com

SERAPID Deutschland GmbH

Wilhelm-Frank-Straße 30
D-97980 Bad Mergentheim | Germany
+49 (0)7931 9647-0
info-de@serapid.com

SERAPID USA INC.

34100 Mound Road
Sterling Heights MI 48310 | USA
+1 586 274 0774
info-us@serapid.com

SERAPID Singapore Pte Ltd

1 George Street #10-01
Singapore 049145 | Singapore
+65 9119 5890
info-sg@serapid.com